

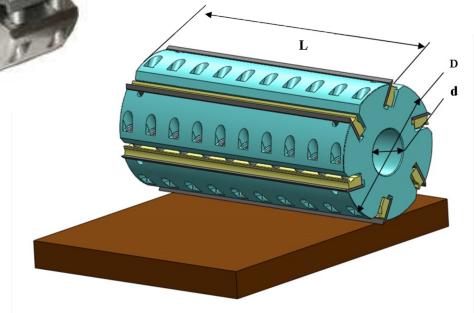
Planer Heads

4 Wing



Application:

For precision High Speed Steel planing on all, long length, solid timbers.
Suitable for mechanical feed spindle moulders and all 4 & 6 head through feed spindle moulders.



Sizes Available

CODE	D	d	L	No Wings
SPH12540-40	125	40	40	4
SPH12560-40	125	40	60	4
SPH12580-40	125	40	80	4
SPH125100-40	125	40	100	4
SPH125120-40	125	40	120	4
SPH125130-40	125	40	130	4
SSPH125150-40	125	40	150	4
SPH125180-40	125	40	180	4
SPH125200-40	125	40	200	4
SPH 125230-40	125	40	230	4
SPH125240-40	125	40	240	4

Special Features

High strength steel construction with precision high strength clamping of planer knife.
Excellent machining results and good surface finish due to precision construction.
Planer Knife changeover is quick, accurate and easy.

Spare Parts

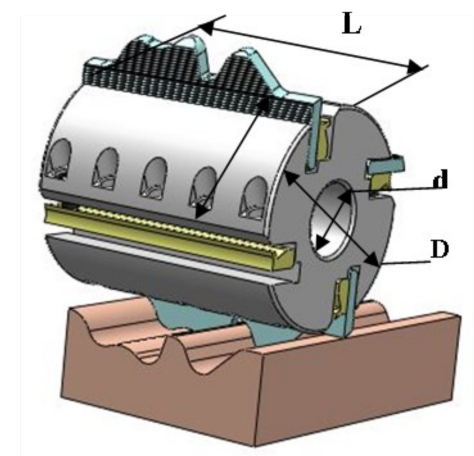
Clamp Strip SGB2210-Length
Clamp Screw M12 x 20 DPGS
Allen Key 6 mm AF

Serrated Back Knife Heads

4 Wing

Application:

For High Speed Steel knife profile planing on all long length solid timbers.
Suitable for mechanical feed spindle moulders and all 4 & 6 head through feed spindle moulders.



Sizes Available

CODE	D	d	L	No Wings
TOOL TAKES 6 OR 8mm MATERIAL				
SSBH 11040-1¼	110	1¼	40	3 or 4
SSBH 11060-1¼	110	1¼	60	3 or 4
SSBH 11080-1¼	110	1¼	80	3 or 4
TOOL TAKES 8 OR 10mm MATERIAL				
SSBH 12240-40	122	40	40	4
SSBH 12260-40	122	40	60	4
SSBH 12280-40	122	40	80	4
SSBH 122100-40	122	40	100	4
SSBH 122120-40	122	40	120	4
SSBH 122130-40	122	40	130	4
SSBH 122150-40	122	40	150	4
SSBH 122180-40	122	40	180	4
SSBH 122200-40	122	40	200	4
SSBH 122230-40	122	40	230	4
SSBH122240-40	122	40	240	4

Spare Parts

Gib Strip SGB2210-Length
Clamp Screw M12 x20DPGS
Allen Key 6mmA/F