

Floor & Panel Cutter Sets

2 + 2 Wing



Application:

For production of tongue and groove flooring and wall paneling on all 4 to 8 head moulding machines. Tools use economical inserts for low production running costs.

Tools come in Top Nail, Secret Nail & Shiplap design.

Chamfer cartridges available to allow for adjustable chamfers on both tongue and groove boards.

The width of the tongue and groove is adjustable by means of spacers and shims up to 8 mm wide tongue & groove.

An additional 3rd. Cutter set can be supplied if an edge bevel is required.

The size of the bevel is adjustable to max. of 10 mm.



Sizes Available

CODE	D	W	w	d	DESCRIPTION	Insert	Insert	Chamfer Insert
FLOOR TOP NAIL								
SFBT-15040-40	150	40	4-8	40	TOP NAIL TENON SET	25x12x1.5	14x14x2	TKM45-22165
SFBG-15040-40	150	40	4-8	40	TOP NAIL GROOVER SET	25x12x1.5	14x14x2	TKM45-22165
FLOOR TOP NAIL 1mm GAP								
SFBT-1M-15040-40	150	40	4-8	40	TOP NAIL 1mm GAP TENON SET	25x12x1.5	14x14x2	TKM45-22165
SFBG-1M-15040-40	150	40	4-8	40	TOP NAIL 1 mm GAP GROOVER SET	25x12x1.5	14x14x2	TKM45-22165
FLOOR SECRET NAIL								
SSNG-15040-40	150	40	4-8	40	SECRET NAIL GROOVER SET	25x12x1.5	14x14x2	TKM45-22165
SSNT-15040-40	150	40	4-8	40	SECRET NAIL TENON SET	25x12x1.5	14x14x2	TKM45-22165
FLOOR SECRET NAIL 1 mm GAP								
SSNG-1M-15040-40	150	40	4-8	40	SECRET NAIL 1mm GAP GROOVER SET	25x12x1.5	14x14x2	TKM45-22165
SSNT-1M-15040-40	150	40	4-8	40	SECRET NAIL 1mm GAP TENON SET	25x12x1.5	14x14x2	TKM45-22165
FLOOR SHIP LAP								
SSLG-18040-40	180	40	4-8	40	SHIPLAP GROOVER SET	25x12x1.5	14x14x2	TKM45-22165
SSLT-18040-40	180	40	4-8	40	SHIPLAP TENNON SET	25x12x1.5	14x14x2	TKM45-22165

SPARE PARTS

Wedge W2512-TS-T3 Wedge Screw M6 x 16 TH Special Groover TPSG8 LH Special Groover TPSG8 RH Groover Screw M6 x12 CSNK Scribe Screw SS-M5-12 Tennon Chamfer Screw RSS-M6-16W

Onboard Chamfer Cutters

Special Onboard Chamfer Cutters are available to allow for adjustable chamfers on both top and bottom timber. This creates the ability to machine VEE JAY type Wall Paneling.

P/No SFBCC1616-42

ONBOARD CHAMFER SPARES

Cartridge SFBCC1616-42 Screw M8 x 16LHCS Screw M8 x 20LHCS
Screw M8 x 25 LH Jack Screw M5 x 12 DPGS Jack Screw M5 x 16 DPGS
Shim SFBCC15001 Allen Key M2.5 Allen Key M5 Allen Key M6

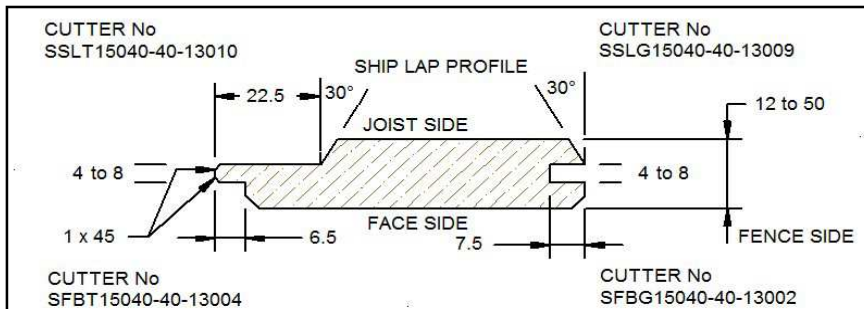
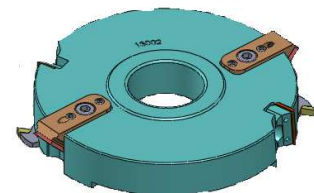
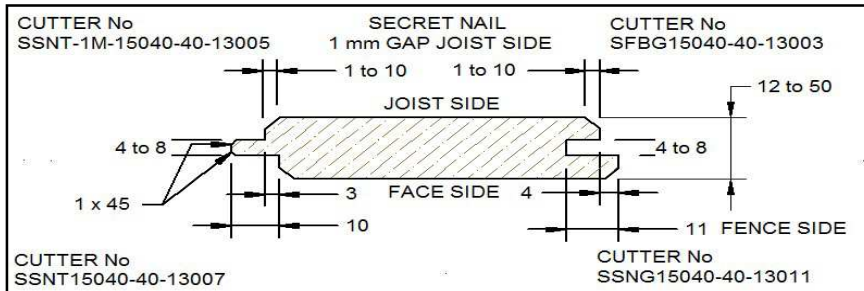
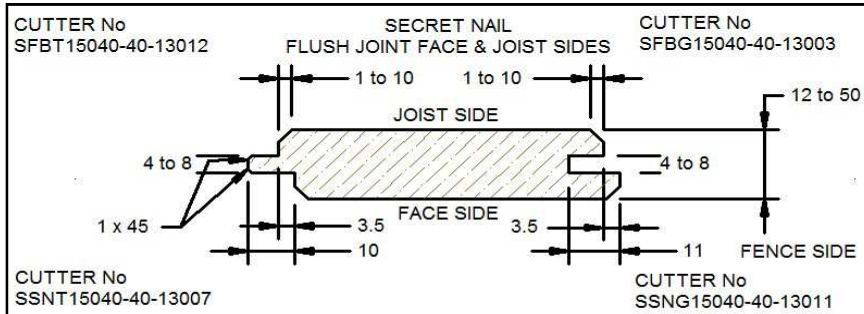
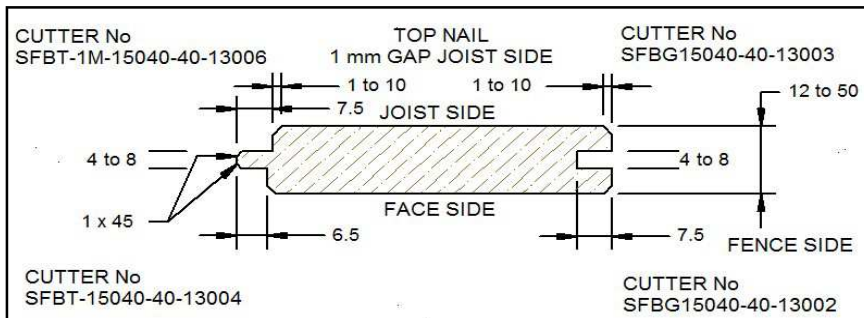
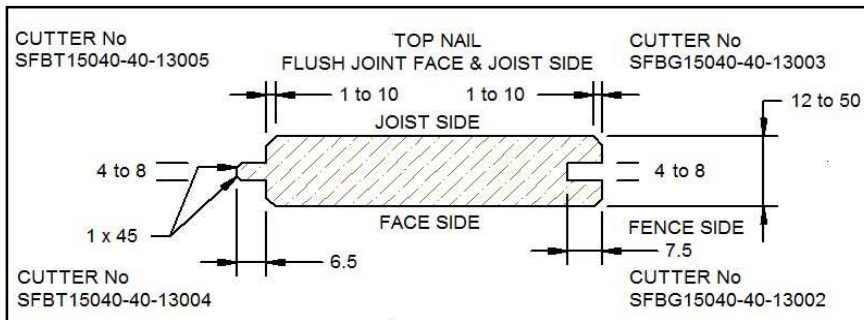


Floor Board & Wall Panel Profiles

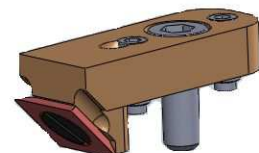


FLOOR BOARD CUTTER COMBINATIONS

Choose individual cutter numbers 13001 to 13012 to produce profile required. Additional tools can be added at a later date to enable production of additional profiles.



P/No SFBCC1616-42



FLOOR BOARD CHAMFER CUTTERS

Choose individual onboard chamfer cartridges that bolt on to the outer surfaces of flooring cutters to allow for adjustable chamfering of timber flooring.

High Speed Floor & Panel Cutter Sets 6-8 Wing



Application:

For production of tongue and groove flooring and wall paneling on all 4 to 8 head moulding machines.

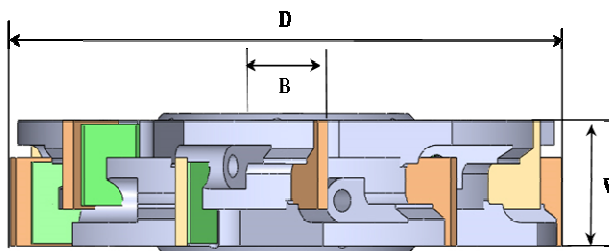
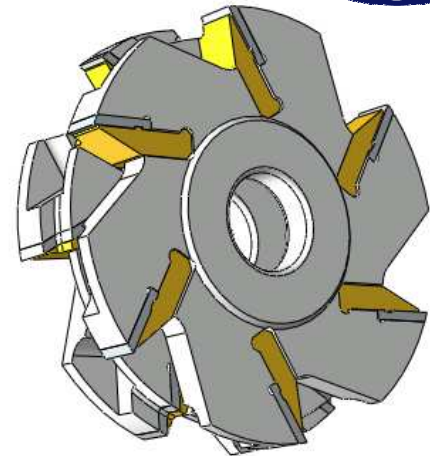
Tools use economical inserts for low production running costs.

High feed rates on machines achievable due to rigid clamping of inserts and high number of inserts on 1 cutter.

Special Features

The width of the tongue and groove is adjustable by means of spacers and shims up to 12 mm wide tongue & groove.

Tools come in 6 or 8 wing and take 25 x 30 x 2 Carbide Inserts.



Spare Parts

Wedge	WC25303-SL-BS
Wedge Screw	M6 x 25 SHCS
Wedge	W1620-TS-T3
Wedge Screw	M6 x 12 TH
End Stop	M4x9HD



Sizes Available

CODE	D	W	Wings	B	DESCRIPTION	Insert	Clamp
HIGH SPEED FLOOR 4 WING 150mm DIAMETER							
SHSFBT150 2025-Z4-50 OR 40	150	40	4 + 4	50/40	F.BOARD TENON	20 x 25 x 2	W2025G-M8-BS
SHSFBG150 2025-Z4-50 OR 40	150	40	4 + 4	50/40	F.BOARD GROOVER	20 x 25 x 2	W2025G-M8-BS
HIGH SPEED FLOOR 6 WING 150mm DIAMETER							
SHSFBT150 2025-Z6-50 OR 40	150	40	6 + 6	50/40	F. BOARD TENON	20 x 25 x 2	W2025G-M8-BS
SHSFBG150 2025-Z6-50 OR 40	150	40	6 + 6	50/40	F. BOARD GROOVER	20 x 25 x 2	W2025G-M8-BS
HIGH SPEED FLOOR 6 WING 200mm DIAMETER							
SHSFBT200 2530-Z6-50 OR 40	200	50	6 + 6	50/40	F.BOARD TENON	25 x 30 x 3	W2530G-M8-BS
SHSFBG200 2530-Z6-50 OR 40	200	50	6 + 6	50/40	F. BOARD GROOVER	25 x 30 x 3	W2530G-M8-BS
HIGH SPEED FLOOR 8 WING 200mm DIAMETER							
SHSFBT200 2530-Z8-50 OR 40	200	50	8 + 8	50/40	F. BOARD TENON	25 x 30 x 3	W2530G-M8-BS
SHSFBG200 2530-Z8-50 OR 40	200	50	8 + 8	50/40	F. BOARD GROOVER	25 x 30 x 3	W2530G-M8-BS