

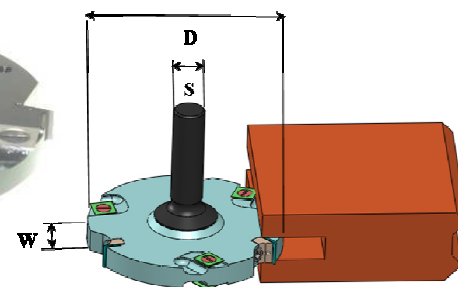
Tee Slot Cutters

4+4 Wing



Application:

For use on overhead routing machines to produce edge grooves or full tee slots in timbers or MDF board. Where full tee slot is required material must be pre-slotted. Minimum width of Pre slot is 30 mm.



Sizes Available

CODE	D	Shank	W	No. Wings	Insert	Scribe
DTSC5512-1/2	55	12.7	12	4	12x12x1.5	14x14x2
DTSC10010-20	100	20	10	4+4	9x12x1.5	14x14x2
DTSC10012-20	100	20	12	4+4	11x12x1.5	14x14x2
DTSC10016-20	100	20	16	4+4	15x12x1.5	14x14x2
DTSC12010-20	120	20	10	4+4	9x12x1.5	14x14x2
DTSC12012-20	120	20	12	4+4	10x12x1.5	14x14x2
DTSC12016-20	120	20	16	4+4	15x12x1.5	14x14x2
DTSC12020-20	120	20	20	4+4	18x12x1.5	14x14x2
DTSC14016-20	140	20	16	4+4	15x12x1.5	14x14x2
DTSC14018-20	140	20	18	4+4	17x12x1.5	14x14x2
DTSC14020-20	140	20	20	4+4	18x12x1.5	14x14x2

Special Features:

Scribes give accurate width and smooth faces to slot. Inserts positively located.

Spare Parts

Wedge W0912-TS-T3
 W1012-TS-T3
 W1212-TS-T3
 W1512-TS-T3
 W1812-TS-T3
 W2012-TS-T2
 Screw M5x 12 TH
 Key 4AF TEE
 Scribe Screw Short SS-M5 x 9
 Scribe Screw Long SS-M5 x 12

Edge Mould Router

2 Wing

Application:

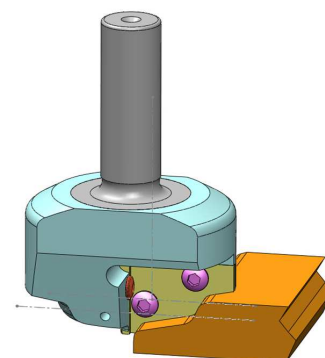
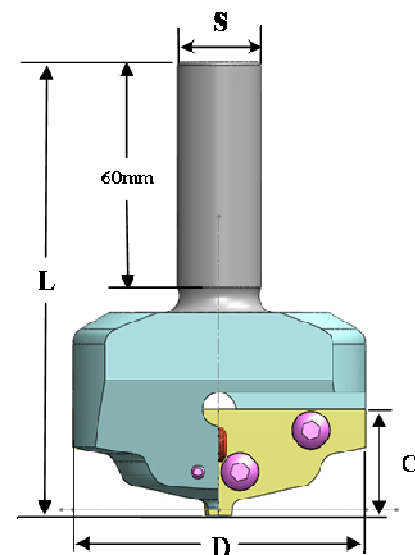
For production of various edge profiles on CNC routing machines. Can be used for routing of edge profiles on MDF kitchen doors, particle board, & solid timber doors.

Special Features

Large range of standard profiles, together with special profiles, are available to suite a large variety of applications. Inserts can be re-sharpened. Profiles and details of insert sizes available upon request.

Sizes Available

CODE	D	C	L	Shank	No. Wings	Blank Insert
DPR7025-16 or 20	70	25	110	16 or 20	2	35 x 25 x2 OS
DPR7035-16 or 20	70	35	120	16 or 20	2	35 x 35 x 2 OS
DPR8040-16 or 20	80	40	130	16 or 20	2	40 x 40 x 2 OS
DPR9820-16 or 20	98	20	110	16 or 20	2	50 x 20 x 2
DPR9825-16 or 20	98	25	120	16 or 20	2	50 x 25 x 2
DPR9835-16 or 20	98	35	130	16 or 20	2	50 x 35 x 2
DPR9840-16 or 20	98	40	130	16 or 20	2	50 x 40 x 2



Spare Parts
 Screw M4 x 9HD
 Key T15 Flag

LAST DIGITS ON CODE NUMBER DENOTES SHANK SIZE CHOOSE EITHER 16 OR 20.