

Mortise Bits

2 Wing



Application :

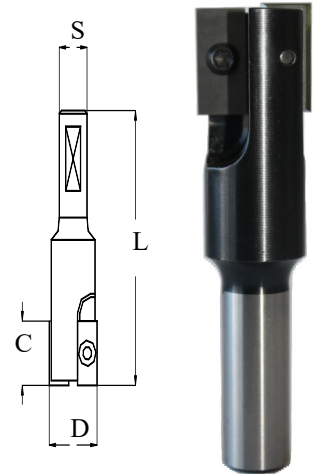
Specifically for stair tread mortises. Made in R.H and L.H. styles for Piles,/Robinson, and similar mortise machines. Can be used for general mortise production.

SPARE PARTS

Insert: 20 x 9 x 1.5 EC
 30 x 9 x 1.5 EC
 Screw M3.5 X 6HD
 Key T15 Flag

Sizes Available

CODE	D	C	L	S	ROTATION	Insert
DM20.620-1/2	20.6	20	84	1/2	R/Hand	20x9x1.5 EC
DM20.620-1/2 LH	20.6	20	84	1/2	L/Hand	20x9x1.5 EC
DM22.220-1/2	22.2	20	84	1/2	R/Hand	20x9x1.5 EC
DM22.220-1/2 LH	22.2	20	84	1/2	L/Hand	20x9x1.5 EC
DM22.230-1/2	22.2	30	94	1/2	R/Hand	30x9x1.5 EC
DM22.230-1/2 LH	22.2	30	94	1/2	L/Hand	30x9x1.5 EC



Straight Bits Plunge Cutting

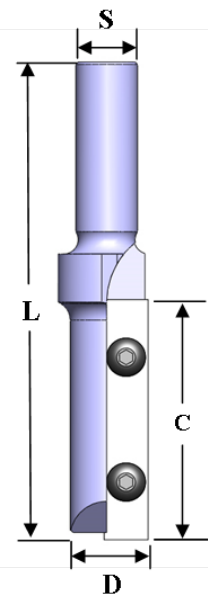
1 Wing

Application:

As the insert extends beyond the center line these router bits can be used for plunge cutting of recesses, closed end slots as well as open end grooves and rebates.

Sizes Available

CODE	D	C	L	S	Insert
DSP1230-1/2	12	30	84	1/2	30x9x1.5 EC
DSP12.730-1/2	12.7	30	84	1/2	30x9x1.5 EC
DSP1430-1/2	14	30	84	1/2	30x9x1.5 EC
DSP1630-1/2	16	30	84	1/2	30x9x1.5 EC
DSP1640-1/2	16	40	94	1/2	40x9x1.5 EC
DSP1640-16	16	40	94	16	40x9x1.5 EC
DSP1830-1/2	18	30	84	1/2	30x9x1.5 EC
DSP1840-1/2	18	40	94	1/2	40x9x1.5 EC
DSP1850-1/2	18	50	104	1/2	50x9x1.5 EC
DSP1930-1/2	19	30	84	1/2	30x9x1.5 EC
DSP1940-1/2	19	40	94	1/2	40x9x1.5 EC
DSP1940-16	19	40	94	16	40x9x1.5 EC
DSP2030-1/2	20	30	84	1/2	30x9x1.5 EC
DSP2040-1/2	20	40	94	1/2	40x9x1.5 EC
DSP2040-16	20	40	94	16	40x9x1.5 EC
DSP2050-1/2	20	50	104	1/2	50x9x1.5 EC
DSP2050-16	20	50	104	16	50x9x1.5 EC



SPARE PARTS

Screw M3.5 X 6HD
 Key T15 Flag